

Description of the Valve

This control valve DN6 is operated with low-pressure instrument air while the main stage is used for high pressure hydraulic media. It is of either of 3/2 or 2/2 type.

A **block-before-bleed** function ensures that the ports are never cross-connected during switching. This means during operation, no leakage can occur.

Due to the working principle, the valve is leakage free. The pneumatic actuator is designed using a diaphragm thus it produces low friction and enables the valve to be switched at low pressure. If no pilot medium is available, the valve can be actuated using the optional manual override.

Technical Data of the Valve

Nominal pressure:	690 bar 10.000 psi
Nominal size:	DN 6
Temperature range:	-25°C to +80°C -13°F to +176°F
Nominal flow:	15 l/min @ $\Delta p=10$ bar 15 l/min @ $\Delta p=145$ psi
Cv:	0,8

Media

Mineral oil, water, HFA, tap water, water glycol
For other media please contact factory

Characteristics

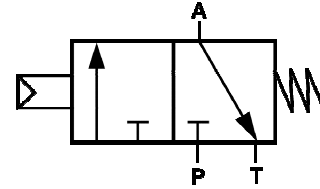
Material:	316
Wetted parts:	stainless, ceramic

Options

The following options are available

- NBR-sealing
- Viton-sealing for higher temperatures
- FKM-sealing for low temp.
- Manual override
- Available as 2/2
- Portsize and type
- DN10 as an option

Symbol



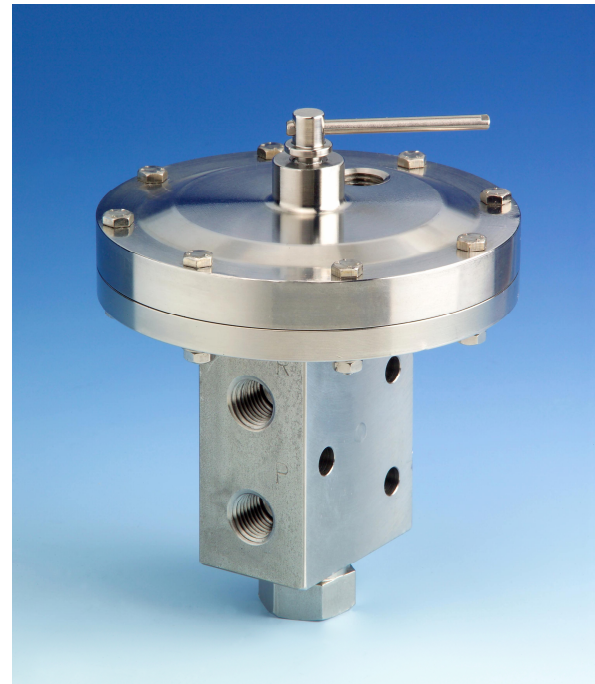
Mounting of the Valve

The valve is body-ported through NPT 1/4". The valve itself can be wall-mounted using brackets, refer to drawing.

Designation

403006 253 (with manual override)
403006 254 (without manual override)

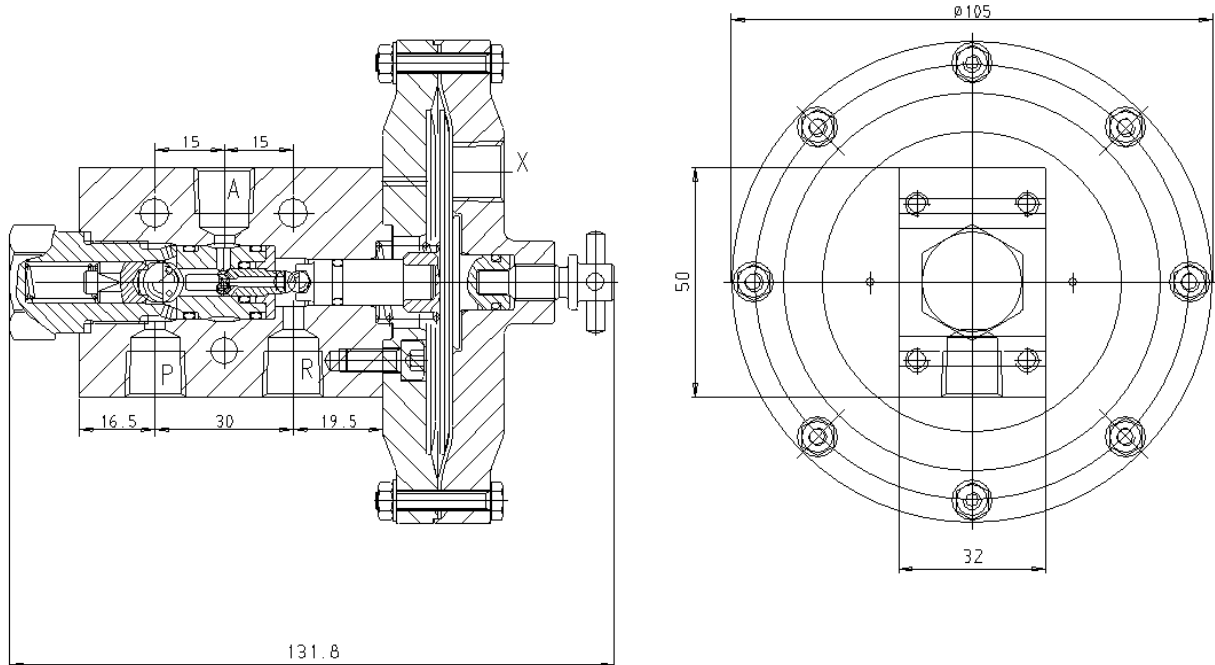
Photographic view



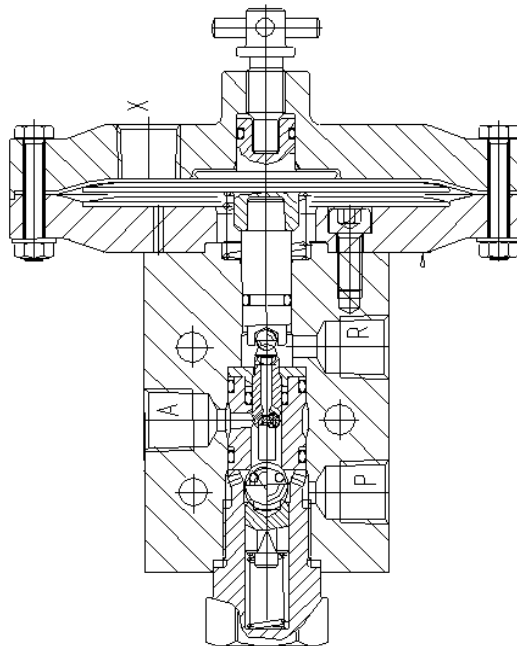
Ports

P, A, T-port:	1/4" NPT (3/2 function)
P, A or A, T-port:	1/4" NPT (2/2 function)
X-port:	1/4" NPT

Drawing of the Valve (General View and Dimensions)



Sectional Drawing of the Valve



Pneumatic Actuation

