

Description of the Valve

Differential pressure switches compare two pressures (mostly upstream and downstream of a shut-off valve) and operate a mainstage valve (mostly 2/2 or 3/2 type, NO or NC) once the differential pressure becomes higher or lower than the set-point. The set-point can be adjusted within the pressure range. The mainstage is connected to the sensing head and usually operates a downstream cylinder / actuator.

The valves are used in safety control units (HIPP-Systems or ESD). It is possible to mount the valve to a panel.

Technical Data of the Valve

Control pressure X:	0 bar to 207 bar (3.000 psi)
Max. diff. pressure:	100 bar (1450 psi)
Mainstage pressure:	up to 12 bar (175 psi)
Setpoint-ranges:	0,8 - 4 bar, 0,5 - 10 bar
Size:	DN1
Deadband:	+/- 5%
Repeatability around setpoint:	+/- 1%
Temperature range:	-25°C to +60°C -13°F to 140°F

Media

Natural gas, instrument air, fluidic
Others please contact factory

Material

The valve is made of anodized aluminum. All wetted parts inside the valve are made of non-corrosive materials.

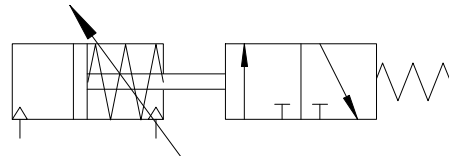
Options

- The mainstage valve may be a normally open (NO) or a normally closed (NC), depending on how piping is done.
- It can be used as 2/2 or 3/2 valve
- The setpoint range has to be specified.
- A stainless steel version is available.
- Further options (material, media etc.) upon request.
- Port size and type.

Designation (Example)

207001 008 (aluminum, 0,5-10 bar)
207001 009 (aluminum, 0,8-4 bar)
207001 017 (316 SS, 0,8-4 bar)

Symbol



Function

Both control ports (1/4" NPT) have to be connected to those lines / ports where a differential pressure needs to be sensed. The sensing device is connected to a mainstage valve body that houses the spool.

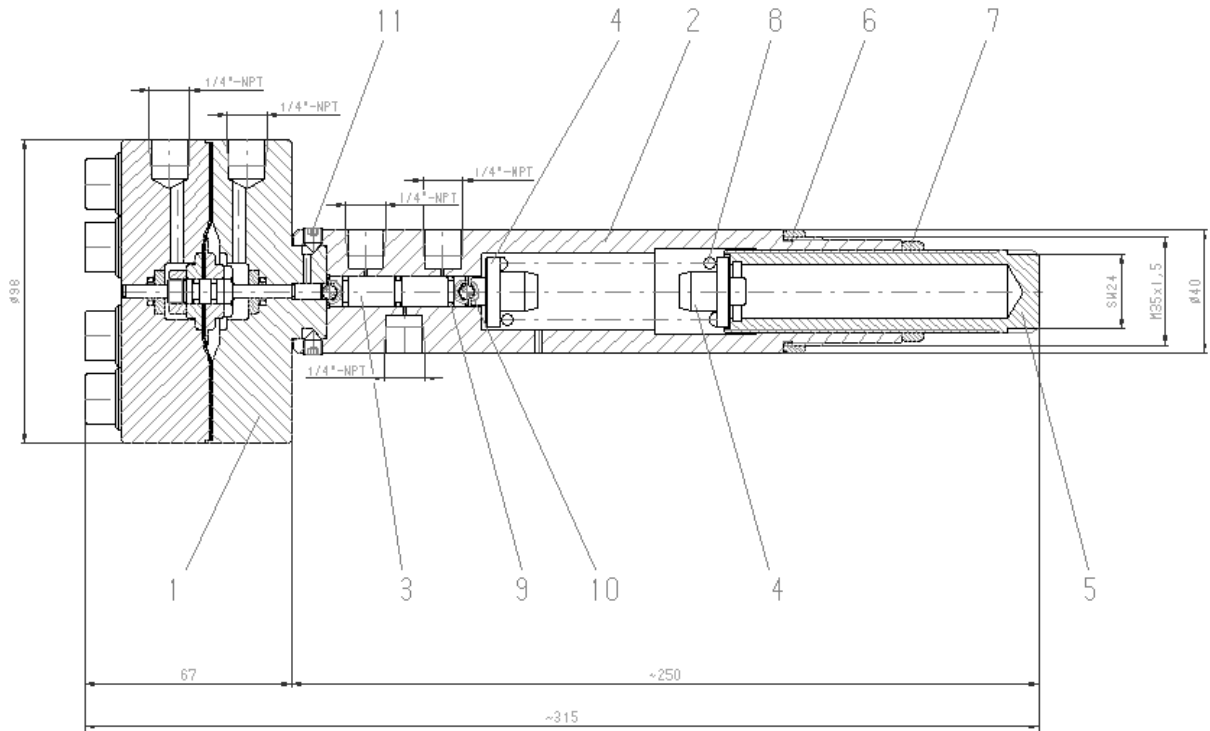
The valve is adjusted to a differential pressure by help of a setting screw. Once this pre-set pressure difference is reached the valve switches and operates downstream devices. The valve is body-ported, and can be mounted to a panel.

It has a deadband where all ports P, A, T are connected to each other during travel of the valve

Ports

Both control ports as well as P, A and T ports are 1/4" NPT. other port sizes are available, please contact factory

Design



Photographic view

