

Description of the Valve

Directional control valves direct the flow in various directions (P→A with 2/2 valves and P→A // A→T with 3/2 valves).

Due to the working principle, the valve is leakage free. The pneumatic or hydraulic actuator is realised using a piston and enables the valve to be operated at low pressure.

If no pilot medium is available, the valve can be operated using an optional manual override.

Technical Data

Nominal pressure:	690 bar 10.000 psi
Nominal size:	DN3 or DN6
Temperature range:	-25°C to 80°C -13°F to 176°F
Nominal flow DN3:	5 l/min @ Δp=10 bar
Nominal flow DN6:	15 l/min @ Δp=10 bar

Media

Mineral oil, water, HFA, tap water, water glycol.
For others please contact factory.

Characteristics

Material:	stainless, aluminum
Wetted parts:	stainless, ceramic

Options

The following options are available

- NBR-sealing,
Viton-sealing for higher temperatures,
FKM-sealing for low temperature
- Manual override
- Available as 2/2
- Hydraulic pilot / pneumatic pilot
- Port size at the manifold and at the pilot
- NO / NC
- DN3 / DN6
- Stainless steel / anod. aluminum
- Position indicator / Manual reset

Designation

403003 138 (DN3)
403006 108 (DN6)

Symbol



Mounting

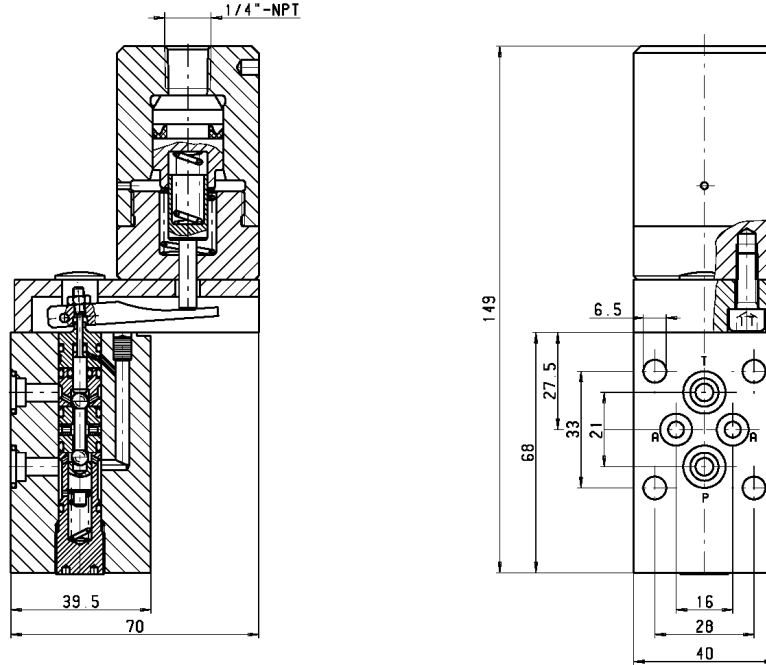
The valve is mounted on a separate subplate where the piping is connected to. The ports of the subplates have to be determined in type (G, NPT any other) and size (1/4", 1/2" etc.) The subplate can be mounted to any other device or block.

Photographic view DN6



Example of a DN6 pneumatically piloted with latch

General View and Dimensions (Example of a DN3)



General View and Dimensions (Example of a DN6)

